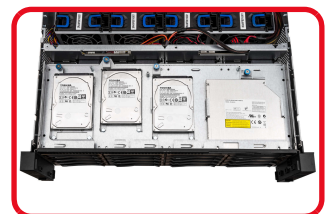
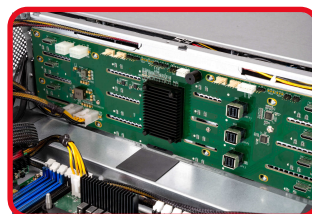




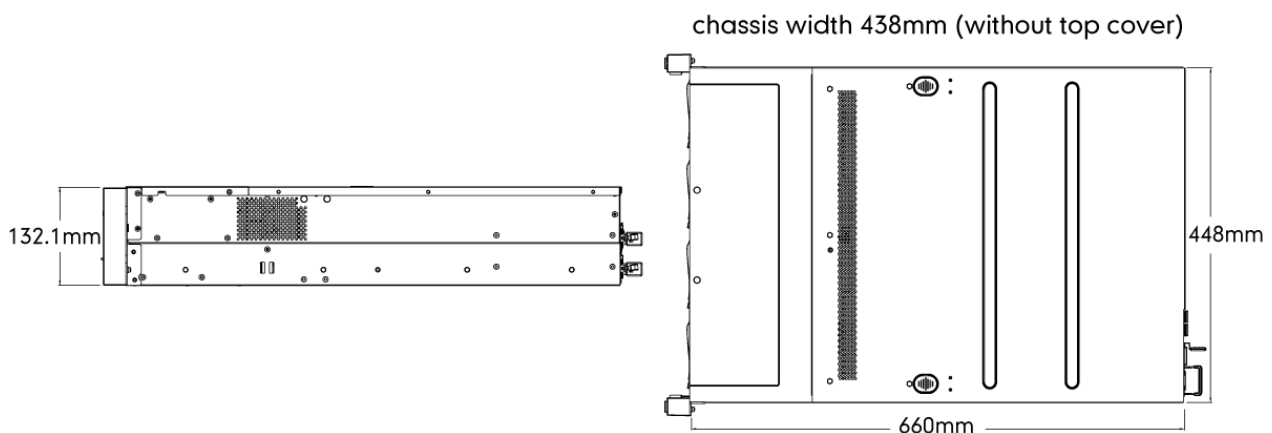
Features & Benefits

- Intel® Xeon Scalable & AMD EPYC family compliant
 - Supports 2.5"/3.5" hot-swap HDD trays x 16
- Optional NVMe trays x 8, green trays distinguish U.2 NVMe SSDs
- Rear drive bays support 2 x 2.5" SAS/SATA SSDs for system disks
- Backplanes with Mini-SAS HD, OCUlink or Slimline connectors (compatible with PCIe 4.0)
 - End-to-end 12Gbps SAS host, expander and disk support
- Internal disk brackets for 3 x 2.5" SAS/SATA SSDs (one is optional), 1 x slim ODD



Specifications

Industry Standard	EIA-RS310D
M/B Form Factor	ATX (12" x 9.6"), CEB (12" x 10.5"), EEB (12" x 13")
Drive Bay	<ul style="list-style-type: none"> External 2.5"/3.5" hot-swap trays x 16 (optional U.2 NVMe SSD trays x 8 Internal 2.5" SSDs x 3 (one for option) and slim ODD x 1 Rear 2.5" screwless hot-swap HDD trays x 2 (supports SAS 12Gbps)
Power Supply	Supports: <ul style="list-style-type: none"> Form factor: 80 Plus Platinum CRPS Watt: 550W/800W/1200W/1600W
Indicator	Power LED, LAN1/LAN2/LAN3/LAN4 LED, system LED, ID LED, HDD LED
Front Control Panel	Power on/off, reset, NMI, ID SW, USB3.0 x 2
Backplane Type-1	<ul style="list-style-type: none"> Host: Mini-SAS HD (SFF-8643) x 3, Slimline (SFF-8654) x 8 HDD: SAS/SATA x 16 or SAS/SATA x 8 and NVMe SSD x 8
Backplane Type-2	<ul style="list-style-type: none"> Host: Mini-SAS HD (SFF-8643) x 3, OCUlink (SFF-8611) x 8 HDD: SAS/SATA x 16 or SAS/SATA x 8 and NVMe SSD x 8
12Gbps Expander Module	Supports broadcom SAS 35 x 36R expander
Cooling Fan	<ul style="list-style-type: none"> 80 x 38mm PWM hot-swap fans x 4, 12000RPM Modular design with anti-vibration
Expansion Slot	Full-height PCIe slots x 7
Material	<ul style="list-style-type: none"> Material: SGCC Thickness: 1.2mm
Rail Kit	Supports 28" tool-less & ball-bearing slide rails
Product Dimensions (DxWxH; Chassis Only)	660 x 448 x 132.1mm (26" x 17.6" x 5.2")
Package Dimensions (DxWxH)	845 x 595 x 267mm
Weight (Chassis Only)	<ul style="list-style-type: none"> Net weight: 17.63kg Gross weight: 21.03kg
Cubic Feet	4.74
Container Information	Single packing with pallets: <ul style="list-style-type: none"> 20': 140pcs 40': 322pcs 40'HQ: 368pcs



12Gbps Backplane Specifications

Backplane Type-1	Mini-SAS HD & Slimline backplane
Dimension (W x H)	405mm x 106mm
Backplane Type	Active with expander onboard
Host Interface	Mini-SAS HD (SFF-8643) x 3, Slimline (SFF-8654) x 8
HDD Interface	SAS/SATA x 16 or SAS/SATA x 8 and NVMe SSD x 8

Backplane Type-2	Mini-SAS HD & OCUlink backplane
Dimension (W x H)	405mm x 106mm
Backplane Type	Active with expander onboard
Host Interface	Mini-SAS HD (SFF-8643) x 3, OCUlink (SFF-8611) x 8
HDD Interface	SAS/SATA x 16 or SAS/SATA x 8 and NVMe SSD x 8

Optional Items

Item	Part Number	Description	Support
Slide Rail	3RAMIS148100	28" tool-less & ball-bearing slide rail	1 set
Slide Rail	3RAMIS152300 / 3RAMIS152400	28" tool-less & ball-bearing slide rail with CMA support	1 set
Cable	3RAMW4031700	Mini SAS 12Gbps SFF-8643 to SFF-8643 cable, 800mm	Max.3
Cable		InWin can customize the SFF-8611/ SFF-8654 cables to fulfill customers' OCUlink/Slimline connectors requirements.	Max.8
Power Supply	3RAMAP025102	80 Plus Platinum 550W CRPS	Max. 2
Power Supply	3RAMAP025202	80 Plus Platinum 800W CRPS	Max. 2
Power Supply	3RAMAP026501	80 Plus Platinum CRPS 1200W (AC input 100-127V, total power 800W max. / AC input 200-240V, total power 1200W max.)	Max. 2
Power Supply	3RAMAP038500	80 Plus Platinum CRPS 1600W (AC input 100-127V, total power 1000W max. / AC input 200-240V, total power 1600W max.)	Max. 2
Power Supply	3RAMAP042800	CRPS PDB	1
Backplane	2RBTVI003402	Mini-SAS HD & Slimline backplane	1
Backplane	2RBTVI005400	Mini-SAS HD & OCUlink backplane	1
HDD Tray	2RAKPH057702	2.5"/3.5" hot-swap HDD tray (gray color)	Max. 16
HDD Tray	2RAKPH038002	2.5" /3.5" hot-swap HDD tray (black color)	Max. 16
HDD Tray	2RAKPH063701	2.5"/3.5" hot-swap HDD tray (gray color with NVMe symbol)	Max. 8
HDD Tray	2RAKPH038102	2.5"/3.5" hot-swap HDD tray (black color with NVMe symbol)	Max. 8
HDD Tray	2RAKPH057800	2.5" Screwless hot-swap SSD rear tray (gray color)	Max. 2
HDD Tray	2RAKPH038200	2.5" Screwless hot-swap SSD rear tray (gold color)	Max. 2
HDD Tray	2RAHID022101	Internal 2.5" HDD bracket	1
Fan	3RAMFB016301	80 x 38mm PWM hot-swap, 12000RPM, 6pin	Max. 4
Fan	2RAKFB011601	80 x 38mm PWM hot-swap fan & fan bracket, 12000RPM, 6pin	Max. 4
Others	2RAKIP023200	Mesh front panel	1
Others	3RAMRW011300	Intrusion switch / 800mm	1

* InWin NVMe backplane supports PCIe 4.0, the actual data transfer speed will be determined by MB and HDD specifications.

* All components and optional parts are not included. In Win Development Inc. reserves the right to make any final modification.