

IW-PL689

Pedestal Long Version Server Chassis



Features & Benefits

- High density storage up to 3.5" or 2.5" hot swap drive bay x 11
 - Supports extended ATX (12" x 13") M/B
- For general purpose storage server chassis
 - HBA Card Retainer supported
 - Platinum level high efficiency CRPS

IW-PL689

Pedestal Long Version Server Chassis



Front view



Rear view



Inside view



Features



- ◆ Flexible 5.25" ODD cage for versatile storage configuration (Optional 2-in-3 or 3-in-4 storage kits)



- ◆ 12" x 13" server board



- ◆ Supports PS2 or 2U 1+1 800W Platinum level CRPS



- ◆ 3.5" SATA HDD Fixing Plate x 5 (Optional)



- ◆ Tool-free ODD/FDD



- ◆ Supports 120 x 25 mm front fan x 1



- ◆ Supports 120 x 25 mm middle fan x 2



- ◆ Supports 80 mm x 2 or 120 mm x 1 rear fan



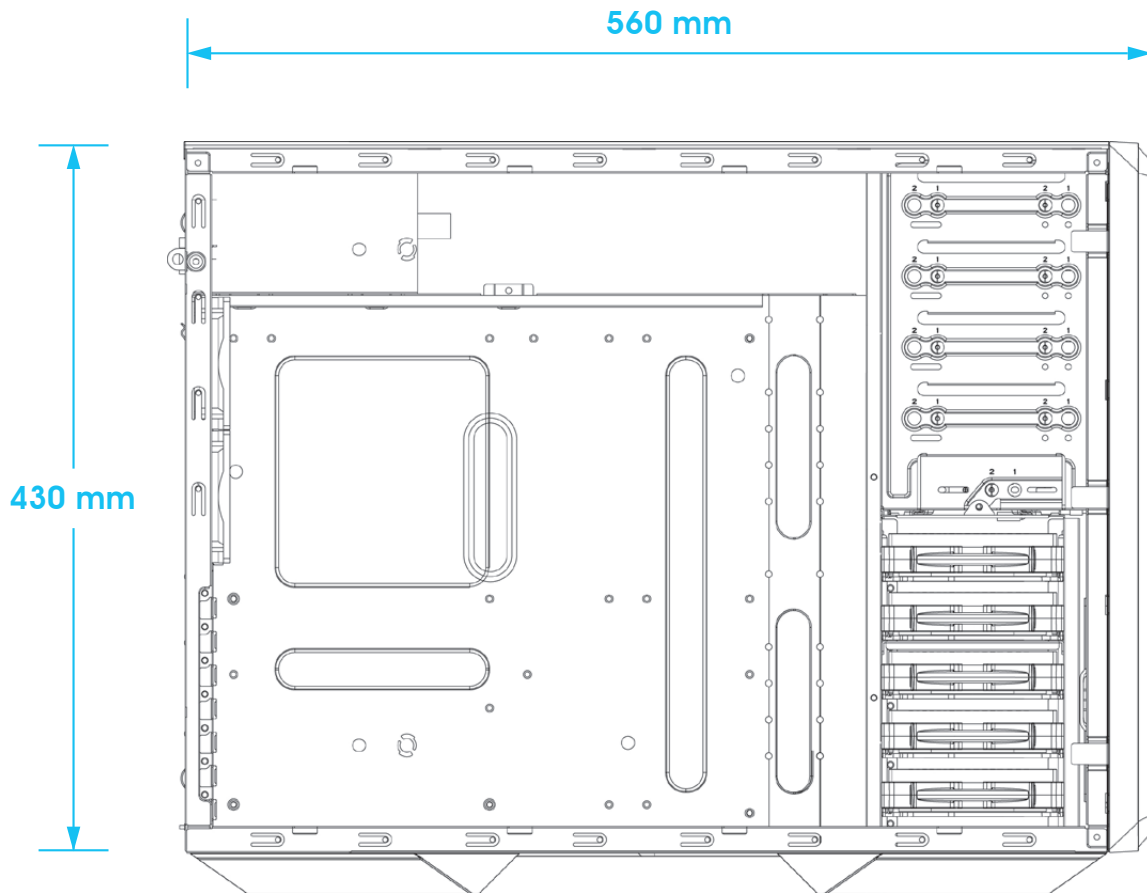
- ◆ Card retainer to ensure that HBA cards are locked into position (Optional)

IW-PL689

Pedestal Long Version Server Chassis



Dimensions (DxH)



Specifications

M/B Form Factor	ATX (12" x 9.6"), CEB (12" x 10.5"), EEB (12" x 13")
Dimensions (DxWxH) w/o Front Panel	560 x 200 x 430 mm (22" x 7.9" x 16.9")
Drive Bay	External: 5.25" x 4, 3.5" x 1 Internal: 3.5" or 2.5" x 5
Power Supply	Supports ▪ PS2 or 2U 1+1 800W Platinum level CRPS
Indicator	Power status, HDD, LANs, System Fail Activity LEDs, ID
Front Control Panel	Power Switch, System Reset, USB3.0 x 2
Chassis Security	Intrusion Switch, Padlock Loop, Kensington Lock Supported
Cooling Fan	Supports ▪ Front: 120 x 25 mm x 1 PWM Fan ▪ Middle: 120 x 25 mm x 2 PWM Fan ▪ Rear: 80 mm x 2 or 120 mm x 1 PWM Fan
Expansion Slot	Full Height PCI Slot x 7
Others	Supports ▪ Card Retainer ▪ Easy-Swap Module for Internal HDD
Packaging Dimensions (D x W x H)	340 x 720 x 592 mm
Shipping Information	Net Weight: 10.75 kg Gross Weight: 14.3 kg

Optional

FAN | POWER SUPPLY | OTHERS |

* For further information on accessories, please visit our website [OPTIONS](#)

* The actual product is subject to change without prior notice. In Win Development Inc. reserves the right to make final modifications.

* Above image for reference only. All hardware components are not included.