

# IW-RS212-07

2U NVMe Hybrid Storage Server

Storage Server



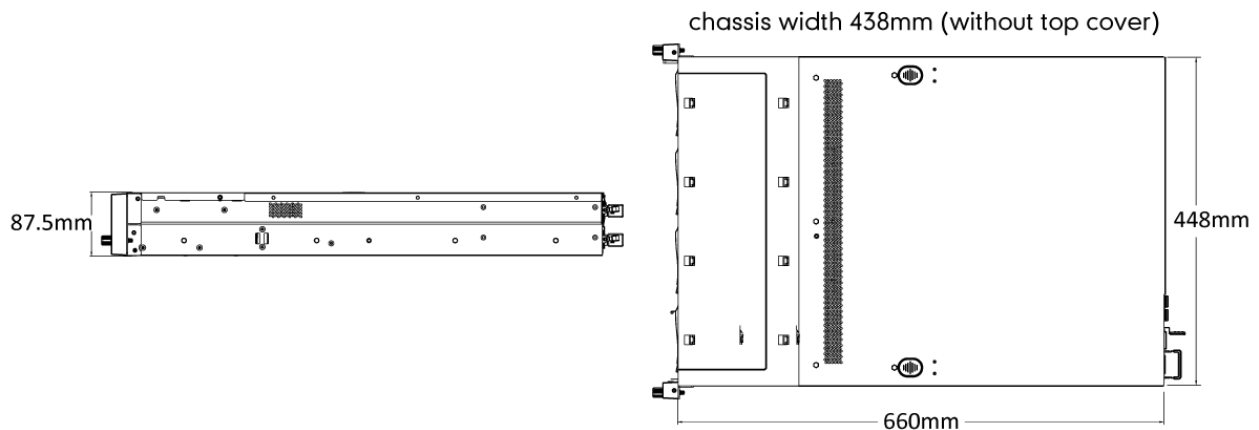
## Features & Benefits

- Intel<sup>®</sup> Xeon Scalable family compliant
- Backplanes with Mini-SAS HD, OCUlink, or Slimline connectors (compatible with PCIe 4.0)
  - 2.5"/3.5" hot-swap trays x 12 (optional NVMe trays x 4, distinguishes U.2 NVMe SSDs)
  - Tool-less design for 2.5"/3.5" HDD tray
  - End-to-end 12Gbps SAS host, expander, and disk support
- 2 x 2.5" SAS/SATA SSDs for system disks at the rear of the chassis
- Highly efficient 1600W, 80 Plus<sup>®</sup> Platinum CRPS (optional)



### Specifications

Industry Standard	EIA-RS310D
M/B Form Factor	ATX (12" x 9.6"), CEB (12" x 10.5"), EEB (12" x 13")
Drive Bay	<ul style="list-style-type: none"> <li>External 2.5"/3.5" hot-swap trays x 12 (optional U.2 NVMe SSD tray x 4)</li> <li>Rear 2.5" screwless hot-swap SSD trays x 2 (supports SAS 12Gbps)</li> </ul>
Power Supply	Supports: <ul style="list-style-type: none"> <li>Form factor: 80 Plus Platinum CRPS</li> <li>Watt: 550W/800W/1200W/1600W</li> </ul>
Indicator	Power LED, LAN1/LAN2/LAN3/LAN4 LED, system LED, ID LED, HDD LED
Front Control Panel	Power on/off, reset, NMI, ID SW, USB 3.0 x 2
Backplane Type-1	<ul style="list-style-type: none"> <li>Host: Mini-SAS HD (SFF-8643) x 3, Slimline (SFF-8654) x 4</li> <li>HDD: SAS/SATA x 12 or SAS/SATA x 8 and NVMe SSD x 4</li> </ul>
Backplane Type-2	<ul style="list-style-type: none"> <li>Host: Mini-SAS HD (SFF-8643) x 3, OCuLink (SFF-8611) x 4</li> <li>HDD: SAS/SATA x 12 or SAS/SATA x 8 and NVMe SSD x 4</li> </ul>
12Gbps Expander Module	Supports LSI 3 x 36R expander
Cooling Fan	80 x 38mm PWM hot-swap fans x 4, 12000RPM Modular design with anti-vibration
Expansion Slot	Low-profile PCIe slots x 7
Material	<ul style="list-style-type: none"> <li>Material: SGCC</li> <li>Thickness: 1.0mm</li> </ul>
Rail Kit	Supports 28" tool-less & ball-bearing slide rails
Product Dimensions (DxWxH; Chassis Only)	660 x 448 x 87.5mm (26" x 17.6" x 3.4")
Package Dimensions (DxWxH)	845 x 595 x 223mm
Weight (Chassis Only)	<ul style="list-style-type: none"> <li>Net weight: 13.09kg</li> <li>Gross weight: 16.51kg</li> </ul>
Cubic Feet	3.96
Container Information	Single packing with pallets: <ul style="list-style-type: none"> <li>20': 160pcs</li> <li>40': 368pcs</li> <li>40' HQ: 414pcs</li> </ul>



### 12Gbps Backplane Specifications

Backplane Type-1	Mini-SAS HD & Slimline backplane
Dimension (W x H)	405mm x 72.3mm
Backplane Type	Active with expander onboard
Host Interface	Mini-SAS HD (SFF-8643) x 3, Slimline (SFF-8654) x 4
HDD Interface	SAS/SATA x 12 or SAS/SATA x 8 and NVMe SSD x 4

Backplane Type-2	Mini-SAS HD & OCUlink backplane
Dimension (W x H)	405mm x 72.3mm
Backplane Type	Active with expander onboard
Host Interface	Mini-SAS HD (SFF-8643) x 3, OCUlink (SFF-8611) x 4
HDD Interface	SAS/SATA x 12 or SAS/SATA x 8 and NVMe SSD x 4

### Optional Items

Item	Part Number	Description	Support
Slide Rail	3RAMIS148100	28" tool-less & ball-bearing slide rail	1 set
Slide Rail	3RAMIS152300 / 3RAMIS152400	28" tool-less & ball-bearing slide rail with CMA support	1 set
Cable	3RAMW4031700	Mini SAS 12Gbps SFF-8643 to SFF-8643 cable, 800mm	Max.3
Cable		InWin can customize the SFF-8611/ SFF-8654 cables to fulfill customers' OCUlink/Slimline connectors requirements.	Max.4
Power Supply	3RAMAP025102	80 Plus Platinum 550W CRPS	Max. 2
Power Supply	3RAMAP025202	80 Plus Platinum 800W CRPS	Max. 2
Power Supply	3RAMAP026501	80 Plus Platinum CRPS 1200W (AC input 100-127V, total power 800W max. / AC input 200-240V, total power 1200W max.)	Max. 2
Power Supply	3RAMAP038500	80 Plus Platinum CRPS 1600W (AC input 100-127V, total power 1000W max. / AC input 200-240V, total power 1600W max.)	Max. 2
Power Supply	3RAMAP042800	CRPS PDB	1
Backplane	2RBTVI009500	Mini-SAS HD & Slimline backplane	1
Backplane	2RBTVI005300	Mini-SAS HD & OCUlink backplane	1
HDD Tray	2RAKPH057702	2.5"/3.5" hot-swap HDD tray (gray color)	Max. 12
HDD Tray	2RAKPH038002	2.5" /3.5" hot-swap HDD tray (black color)	Max. 12
HDD Tray	2RAKPH063701	2.5"/3.5" hot-swap HDD tray (gray color with NVMe symbol)	Max. 4
HDD Tray	2RAKPH038102	2.5"/3.5" hot-swap HDD tray (black color with NVMe symbol)	Max. 4
HDD Tray	2RAKPH057800	2.5" Screwless hot-swap SSD rear tray (gray color)	Max. 2
HDD Tray	2RAKPH038200	2.5" Screwless hot-swap SSD rear tray (gold color)	Max. 2
Fan	3RAMFB016301	80 x 38mm PWM hot-swap fan, 12000RPM, 6pin	Max. 4
Fan	2RAKFB011601	80 x 38mm PWM hot-swap fan & fan bracket, 12000RPM, 6pin	Max. 4
Others	2RAKIP022700	Mesh front panel	1
Others	3RAMRW011300	Intrusion switch / 800mm	1

\* InWin NVMe backplane supports PCIe 4.0, the actual data transfer speed will be determined by MB and HDD specifications.

\* All components and optional parts are not included. In Win Development Inc. reserves the right to make any final modification.