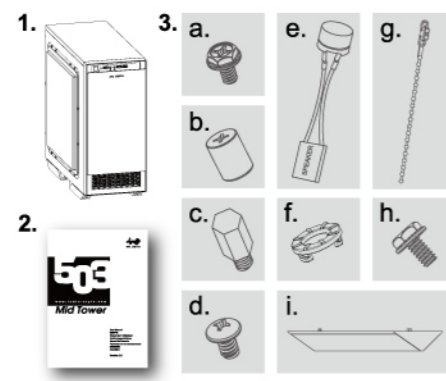


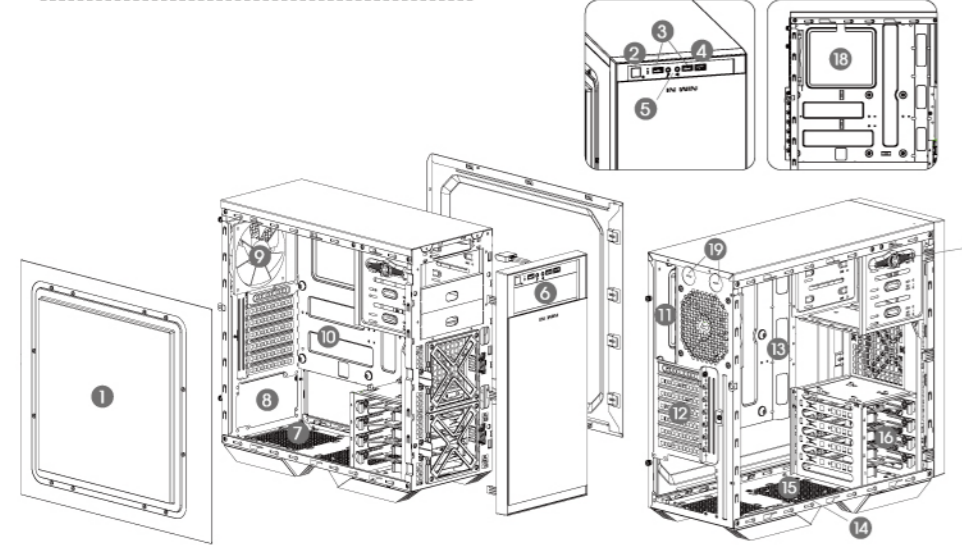
« Package Content »

- 1.503 Mid Tower Case x 1
- 2.User Manual x 1
- Accessories Bag x 1
 - a.Motherboard / Add-on Card Screw x 15
 - b.Stand-Off Socket x 1
 - c.Motherboard Standoff x 3
 - d.ODD Screw/2.5" HDD Screw x 10
 - e.Buzzer x 1
 - f.HDD Shock-Proof Stand x 16
 - g.Cable Tie x 3
 - h.Case Stand Screw x 4
 - i. Case Stand x 4



« Case Structure »

- 1.Clear Side Panel
- 2.Power Button
- 3.USB 2.0 Port
- 4.USB 3.0 Port
- 5.Audio Ports (Earphone and Microphone)
- 6.5.25" Drive Bay Cover
- 7.PSU Dust-Free Mesh
- 8.Power Supply Mounting Area
- 9.120mm Rear Fan
- 10.Motherboard Mounting Area
- 11.I/O Area
- 12.PCI-E Expansion Slot
- 13.Cable Arrangement Area
- 14.Bottom Fan Air Filter
- 15.120mm Bottom Fan Mounting Area
- 16.3.5"/2.5" HDD Cage
- 17.Tool-Free Mounting Clip for 5.25" Devices
- 18.Quick CPU Cooler Installation Cutout Hole
- 19.Water-Cooling Hole



« Specifications »

Case Size	Mid Tower
Material	SECC Steel Tempered Glass
External Drive Bay	5.25" x 1
Internal Drive Bay	5.25" x 2 3.5" / 2.5" x 4 (Supports up to SATA HDD EZ-Swap Module x 4) 2.5" x 2
M/B Form Factor	ATX, Micro-ATX
Power Supply	ATX 12V, PSII Size and EPS up to 220mm (170mm with Bottom Fan)
I/O Port	USB 3.0 x 1 USB 2.0 x 2 HD Audio
I/O Expansion Slots	PCI-E Slot x 7 Supports High-end Graphic Card up to 408mm
Thermal Solution	Front - 120mm Fan x 2 Rear - 120mm LED Fan x 1 Bottom - 120mm Fan x 1 CPU Heatsink up to 170mm Water-Cooling Hole Ready
Dimension (HxWxD)	440 x 210 x 472.5mm 17.3" x 8.3" x 18.6"
Net Weight	5.9 kg
Gross Weight	7.0 kg

* Our products comply with RoHS regulations
* Specifications may vary based on different regions

« Notices and Warranty »

- 1.Please follow user manual instructions for installation.
- 2.While installing components, please wear the antistatic protection and gloves to avoid injury to the system builder and/or the damage to the components. Incorrect installation may burn the motherboard and other components.
- 3.Improper operation may cause damage of to the system. All defects and damage resulting from improper operation or misuse will be excluded from warranty coverage.
- 4.Any modification may damage the product.
- 5.Please uninstall and remove all internal devices before shipping or moving. (Including power supply, hard drive, CD-ROM, motherboard, CPU, heatsink, etc.)
- 6.For more detailed warranty information, please visit the In Win retail website at www.in-win-style.com.
- 7.The actual product is subject to change without prior notice. In Win Development Inc. reserves the right to make final modifications.



CONTEMPORARY & INNOVATIVE
In Win Development Inc.

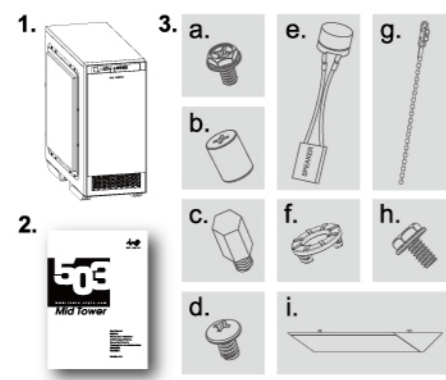
www.inwin-style.com
Copyright © 2014 In Win Development Inc. All Rights Reserved.

3RAMEE030901

使用手冊 · 繁體中文

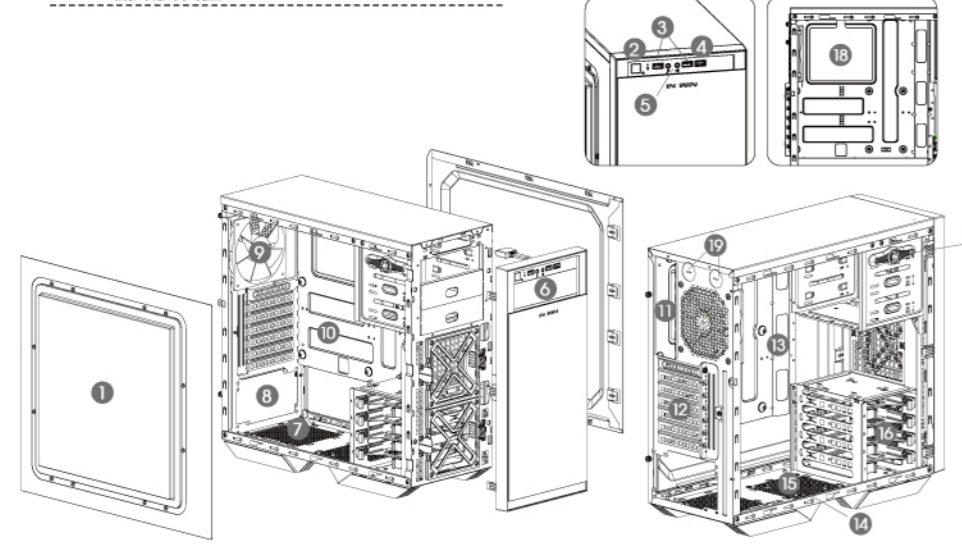
« 包裝內容 »

- 1.503 Mid Tower 機殼 x 1
- 2.使用手冊 x 1
- 3.零件包 x 1
 - a. 主機板 / 介面卡固定螺絲 x 15
 - b. 銅柱套筒 x 1
 - c. 主機板固定銅柱 x 3
 - d. 光碟機 / 2.5" 硬碟固定螺絲 x 10
 - e. 蜂鳴器 x 1
 - f. HDD 防震腳墊 x 16
 - g. 束線帶 x 3
 - h. 腳架螺絲 x 4
 - i. 腳架 x 4



« 機體結構 »

- 1.透明側板
- 2.電源開關
- 3.USB 2.0 插槽
- 4.USB 3.0 插槽
- 5.音源插孔 (耳機和麥克風)
- 6.5.25" 磁碟裝置擋板
- 7.電源供應器防護濾網
- 8.電源供應器安裝區
- 9.120mm後風扇
- 10.主機板安裝區
- 11.輸出/入區
- 12.介面卡PCI-E擴充槽
- 13.理線區
- 14.下風扇防護濾網
- 15.120mm下風扇安裝區
- 16.3.5"/2.5" 硬碟架
- 17.5.25" 磁碟免工具扣具
- 18.CPU散熱器快速安裝孔
- 19.水冷孔



« 規格 »

機殼形式	直立式中型底座
材質	SECC鋼板網板結構 強化玻璃
外置式磁碟槽	5.25" x 1
隱藏式磁碟槽	5.25" x 2 3.5"/2.5" x 4(最多支援SATA HDD易插拔模組x 4) 2.5" x 2
主機板相容	ATX / Micro-ATX
電源供應器	通用ATX 12V / PS II, EPS達220mm規格 (含底部風扇可達170mm)
介面卡擴充槽	PCI-E介面卡擴充槽 x 7 支援高階顯卡長達408mm
前置輸出/入埠	USB 3.0 x 1 USB 2.0 x 2 HD Audio
散熱系統	前 - 支援120mm風扇x 2 後 - 支援120mmLED風扇 x 1 下 - 支援120mm風扇 x 1 支援CPU塔型散熱器高度達170mm 支援水冷系統
尺寸 (HxWxD)	440 x 210 x 472.5mm 17.3" x 8.3" x 18.6"
毛重	5.9公斤
淨重	7.0公斤

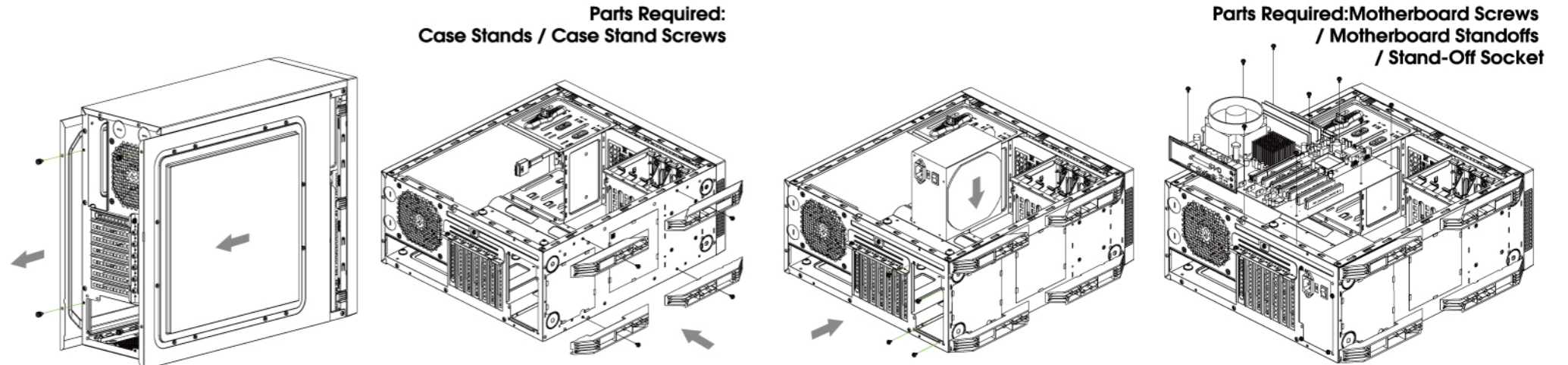
* 本產品符合歐盟有害物質使用限制指引 (RoHS)
* 產品規格視各銷售區域略有不同

« 注意事項與保固範圍 »

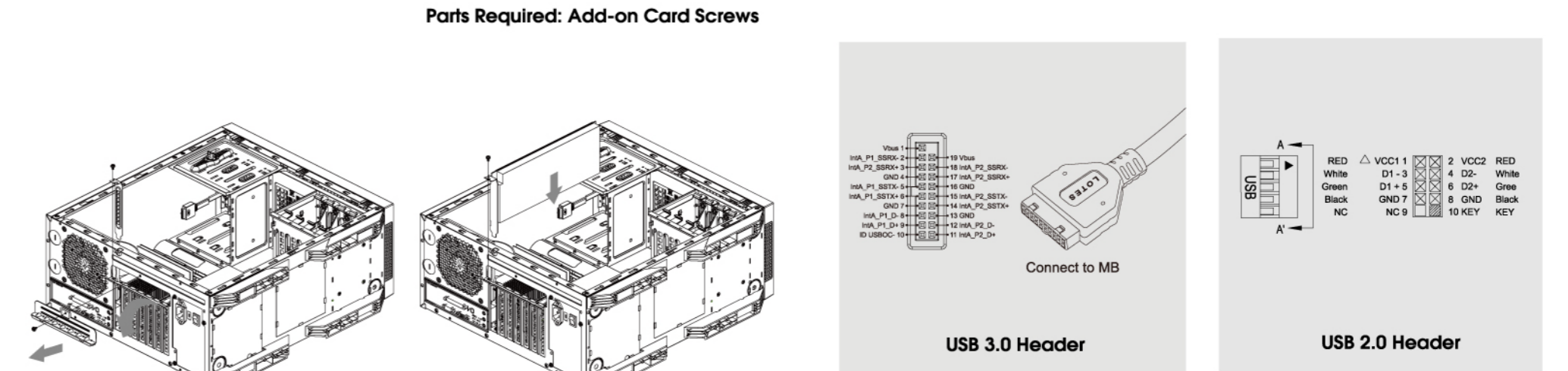
- 1.請確實遵循本使用手冊之指示進行安裝。
- 2.安裝電腦產品的過程中，請戴上靜電環及手套進行安裝，否則可能會導致人員及機器的傷害與損壞。錯誤的接線安裝，嚴重時可能導致主機板及其他零件燒毀。
- 3.請勿使用錯誤方法進行操作或採取指定範圍以外之用途，以免導致本產品及電腦相關裝置損壞。
- 4.請勿將本產品進行改裝使用，以免發生故障。
- 5.如需搬運，請先卸下列機殼內所有裝置，包含電源供應器、硬碟、光碟機、主機板、散熱器等，以免造成本產品及電腦相關裝置損壞。
- 6.本產品之保固範圍及內容等相關資訊，請至迎廣網站www.inwin-style.com查詢。
- 7.產品請以實際出貨內容為準，迎廣公司保留最終修改權利。

Installation Guide (Please follow the related chapters to assemble)

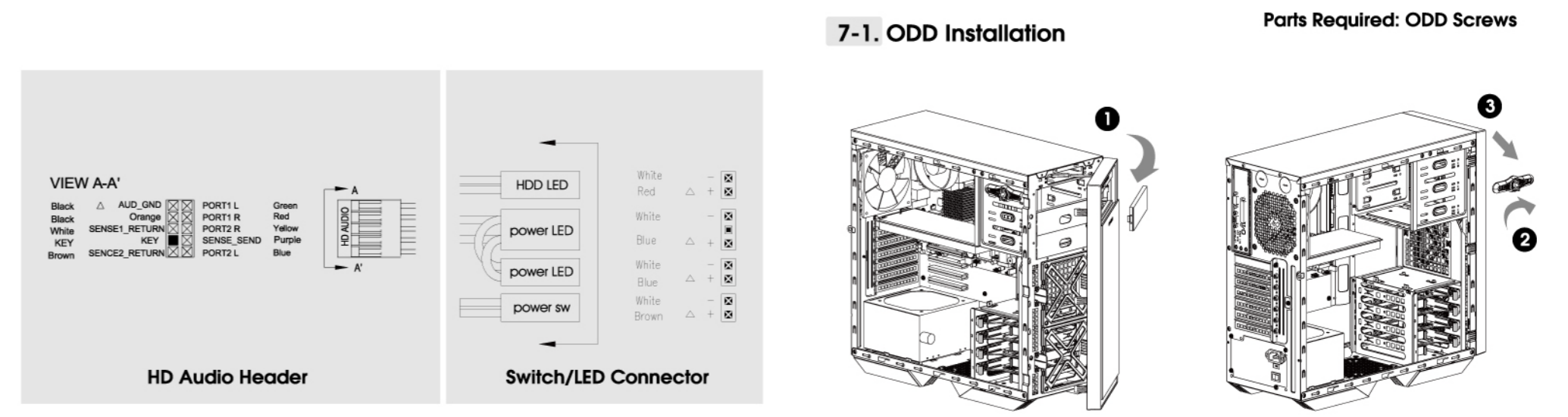
1. Opening the Chassis 2. Install Case Stands 3. Power Supply Installation 4. Motherboard Installation



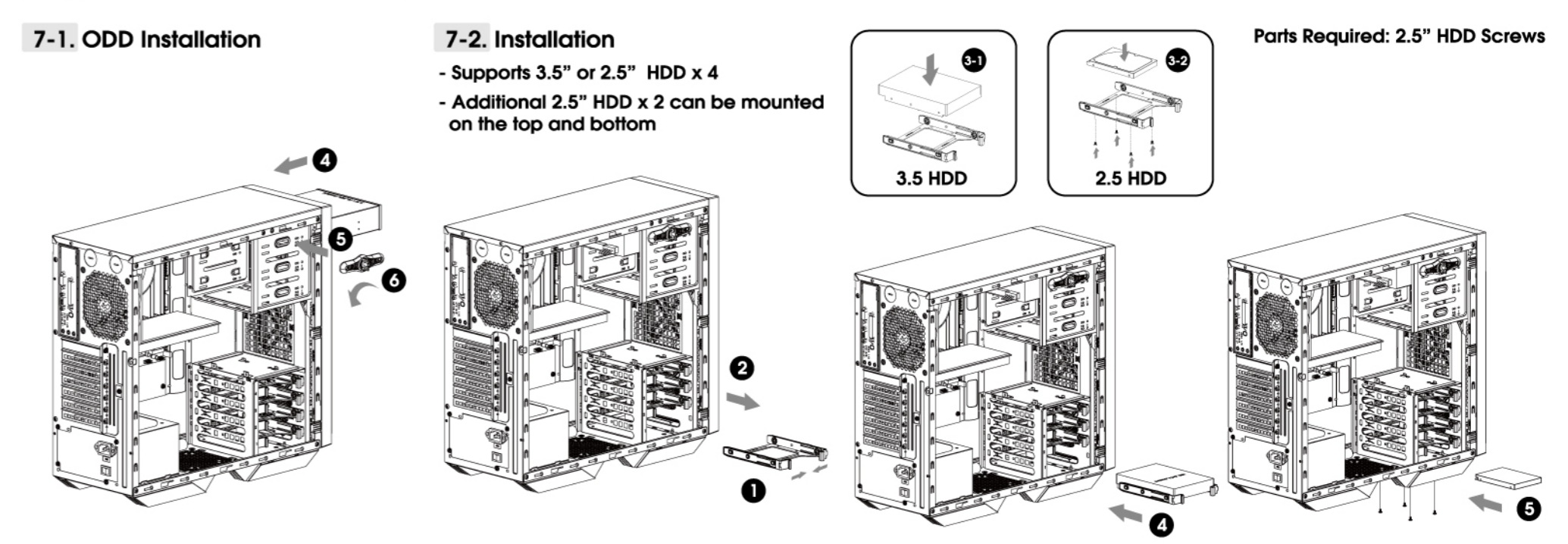
5. Add-on Card PCI-E Installation 6. I/O Wires Installation



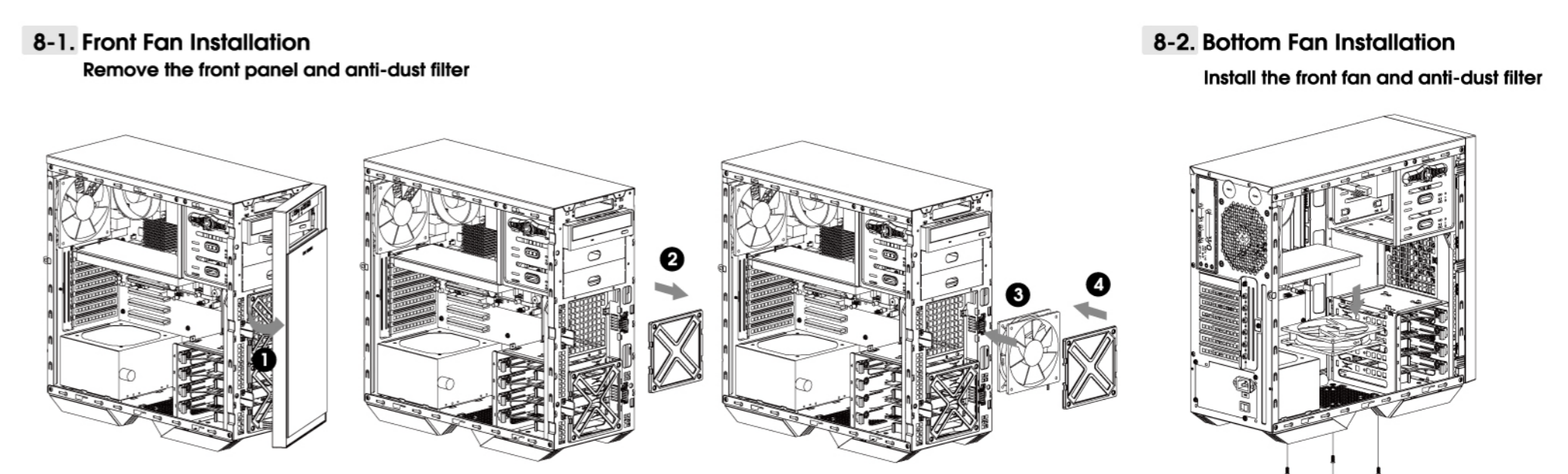
6. I/O Wires Installation 7. 5.25", 3.5" and 2.5" Drive Bays Installation



7. 5.25", 3.5" and 2.5" Drive Bays Installation



8. Thermal Solution System Installation



9. Cable Management 10. Completing Installation

