

# IW-PE689

## Pedestal Entry Server Chassis



### Features & Benefits

- Tool-free design for easy installation
- Utilizes 5.25" drive bay x 4 with In Win storage kits
  - High density storage up to 3.5" x 11 HDD
    - Vibration-free HDD holder
- For office internet front end application

# IW-PE689

Pedestal Entry Server Chassis



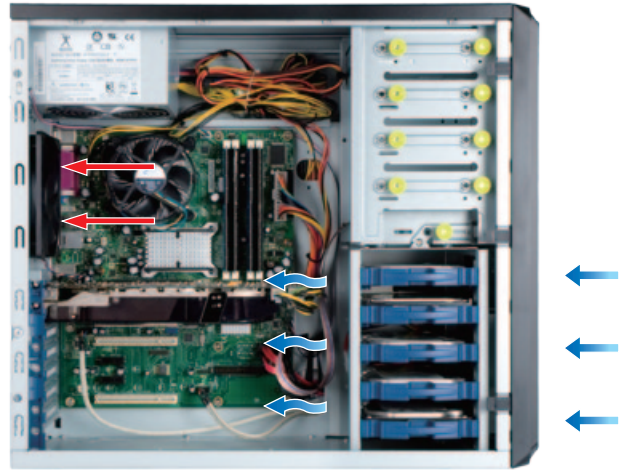
## Front view



## Rear view



## Inside view



## Features



- ◆ Flexible 5.25" ODD cage for versatile storage configuration (Optional 2-in-3 or 3-in-4 storage kits)



- ◆ SATA HDD easy-swap bracket (Optional)



- ◆ Vibration-free HDD holder



- ◆ 120 mm or 92 mm front fan x 1 (Optional)



- ◆ 120 mm rear fan x 1



- ◆ Tool-free front panel



- ◆ Tool-free ODD/FDD



- ◆ Tool-free I/O slots



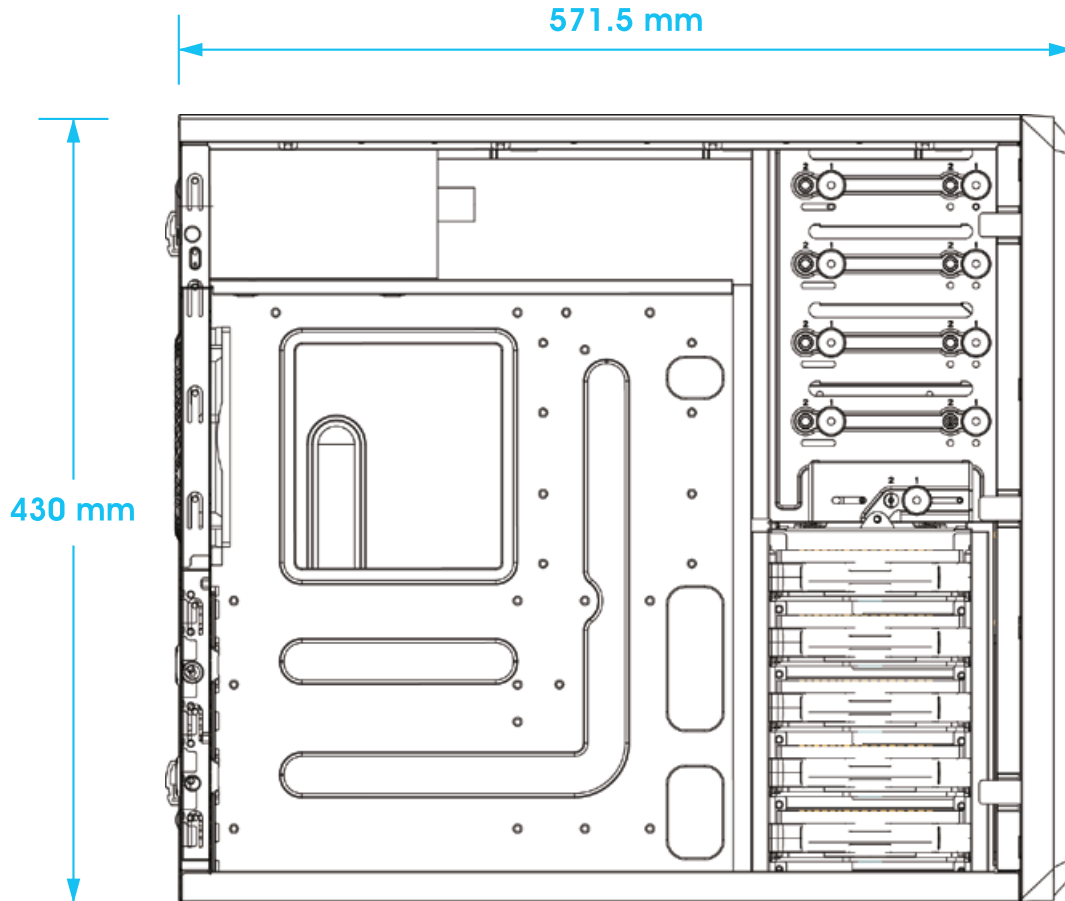
- ◆ Optional railing system and rack ears

# IW-PE689

Pedestal Entry Server Chassis



## Dimensions (DxW)



## Specifications

M/B Form Factor	ATX (12" x 9.6"), CEB (12" x 10.5")
Dimensions (DxWxH) w/o Front Panel	465 x 200 x 430 mm (18.3" x 7.9" x 16.9")
Drive Bay	External: 5.25" x 4, 3.5" x 1 Internal: 3.5" x 5
Power Supply	PS/2 ATX12V, EPS12V
Front Control Panel	Power Switch, System Reset, Audio, USB 2.0 x 2
Chassis Security	Intrusion Switch, Padlock Loop, Kensington Lock Supported
Cooling Fan	Rear: 120 mm PWM x 1 Front: 120 mm x 1 or 92 mm PWM x 1 (Optional)
Expansion Slot	Full Height PCI Slot x 7
Packaging Dimensions (D x W x H)	493 x 262 x 558 mm
Shipping Information	Net Weight: 7.1 kg Gross Weight: 8.3 kg Cubic Feet: 3.7 Container Info • Single Packing: 20': 448pcs, 40': 828pcs, 40'H:950pcs • Bulk Packing + Pallet: 20': 384pcs, 40': 768pcs, 40'H:816pcs

\* The actual product is subject to change without prior notice. In Win Development Inc. reserves the right to make final modifications.

\* Above image for reference only. All hardware components are not included.