

SR24/36 PRO

All-In-One Twin Turbines Liquid CPU Cooler

User Manual · English



1. Product Story

Glow with the Flow! Cool Like a PRO!

InWin brings forth an upgraded All-In-One CPU Cooler! Inheriting the patented twin-turbine function, the SR PRO's pumps run parallel with one another to ensure excellent thermal performance. The improved AIO design comes with the high-airflow Jupiter AJF120 fans to accelerate heat dispatching. It features a sleek aluminium water block design to bring a premium feel into your PC's internal cooling solution.



SR24/36 PRO

2. Specifications

Model		SR24 PRO	SR36 PRO
Model Number		IW-LC-SR24PRO	IW-LC-SR36PRO
CPU Socket Support		Intel® LGA 1200/ 2066/ 2011-V3/ 2011/ 1366/ 1156/ 1155/ 1151/ 1150 AMD® AM4/ AM3+/ AM3/ AM2+/ AM2/ FM2+/ FM2/ FM1/ TR4	
Radiator	Dimensions (L x W x H)	277 x 120 x 27 mm 10.9 x 4.7 x 1.1"	397 x 120 x 27 mm 15.6 x 4.7 x 1.1"
	Materials	Aluminium	
	Tube Length	400 mm	
	Tube Material	Rubber with Nylon Braided Sleeve	
Water Block & Pump	Dimensions (L x W x H)	68 x 68 x 100 mm 2.7 x 2.7 x 3.9"	
	Materials	Aluminium, Copper, Acrylic	
	Pump Speed	2400 ± 10% RPM	
Fan	Model	Jupiter Series AJF120	
	Quantity Included	2 PCS	3 PCS
	Dimensions (L x W x H)	120 x 120 x 26 mm 4.7 x 4.7 x 1.0"	
	Speed Mode (PWM)	PWM 500-2500 ± 10% RPM	
	Noise Level	23 dBA (Normal)	
	Airflow	101.5 CFM Max.	
	Static Pressure	4.22 mm / H2O	
	Connectors	4-Pin (12V, PWM), 3-Pin (5V, ARGB)	
	Bearing Type	Double Ball Bearing	
Package Dimension (L x W x H)		331 x 265 x 136 mm 13 x 10.4 x 5.4"	459 x 244 x 142 mm 18.1 x 9.6 x 5.6"
Net Weight		1.8 kg / 4.0 lb	2.2 kg / 4.9 lb
Gross Weight		2.4 kg / 5.3 lb	2.8 kg / 6.2 lb
Warranty		5 Years	
* InWin products comply with RoHS regulation.			
* Specifications may vary based on different regions.			



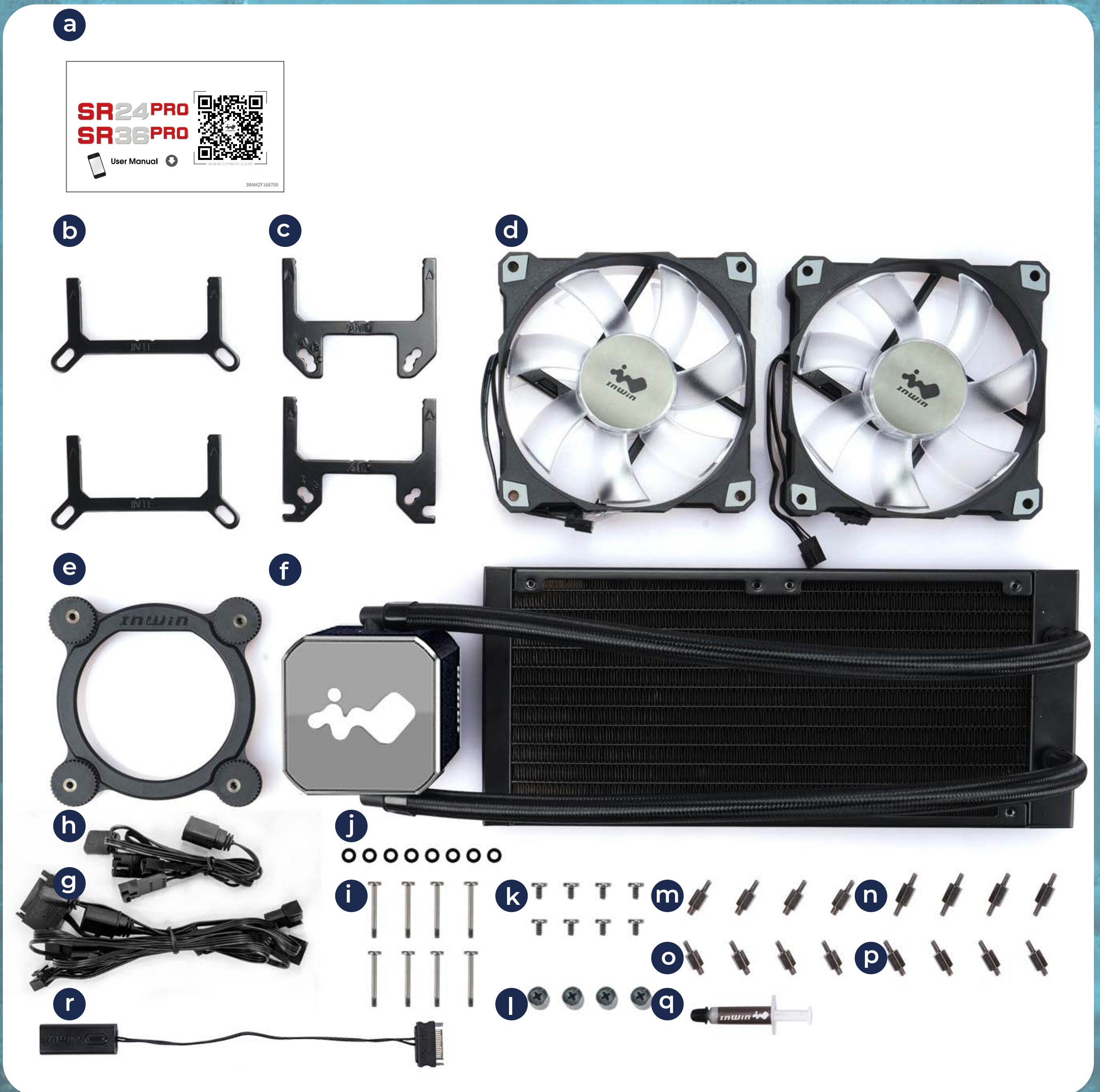
SR24PRO



SR36PRO

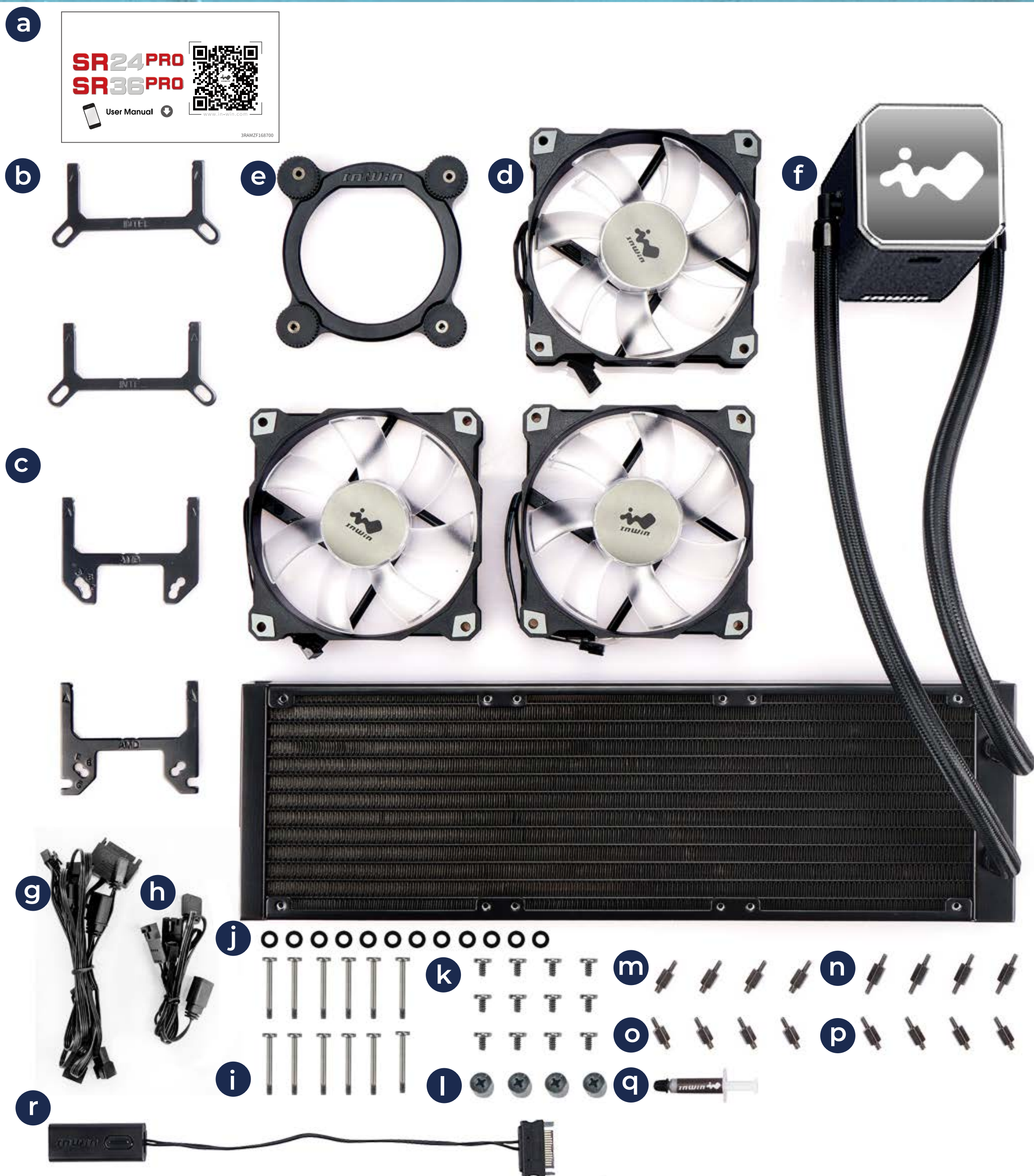
SR24/36 PRO

3. SR24 PRO Package Contents



- a. QR Code Card x1
- b. Intel Mounting Bracket x2
- c. AMD Mounting Bracket x2
- d. Jupiter AJF Fan x2
- e. Intel CPU Backplate x1
- f. 240 Radiator x1
- g. SATA Cable (Pump + PWM) x1
- h. Addressable Cable to M/B (5V, 3-pin) 1 to 3 x1
- i. Fan Screws x8
- j. Washer x8
- k. Radiator Screws x8
- l. Thumbscrew Cap x4
- m. Standoff Screws x4 (LGA 20XX)
- n. Standoff Screws x4 (LGA 115X/1366)
- o. Standoff Screws x4 (TR4)
- p. Standoff Screws x4 (AMD)
- q. Thermal Compound x1
- r. ARGB One-Click Controller Ver. 1.1 x1

4. SR36 PRO Package Contents



- a. QR Code Card x1
- b. Intel Mounting Bracket x2
- c. AMD Mounting Bracket x2
- d. Jupiter AJF Fan x3
- e. Intel CPU Backplate x1
- f. 360 Radiator x1
- g. SATA Cable (Pump + PWM) x1
- h. Addressable Cable to M/B (5V, 3-pin) 1 to 3 x1
- i. Fan Screws x12
- j. Washer x12
- k. Radiator Screws x12
- l. Thumbscrew Cap x4
- m. Standoff Screws x4 (LGA 20XX)
- n. Standoff Screws x4 (LGA 115X/1366)
- o. Standoff Screws x4 (TR4)
- p. Standoff Screws x4 (AMD)
- q. Thermal Compound x1
- r. ARGB One-Click Controller Ver. 1.1 x1

5. Installation Guide

* Please follow the related chapters to assemble.

* Please use original provided accessories to avoid damage to the product

1. Install AJF120 Fans to Radiator.

Parts Required: 240mm/360mm radiator, Jupiter AJF120 Fans, Washers, Fan Screws

* Note: Please be sure to use a washer on each screw before installation.



5. Installation Guide

* Please follow the related chapters to assemble.

* Please use original provided accessories to avoid damage to the product

2. Install Fans and Radiator combo to your PC chassis.

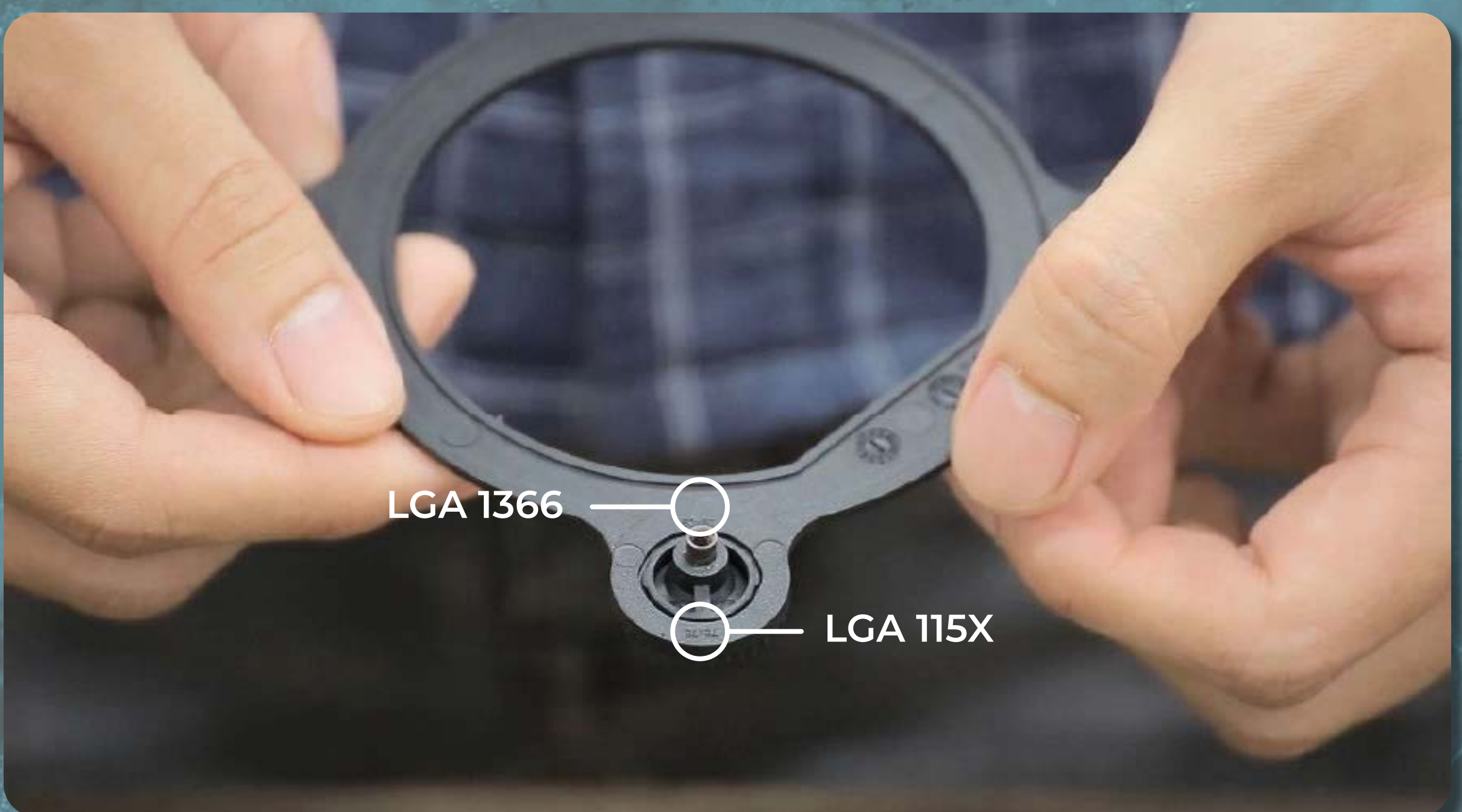
Parts Required: Radiator Screws



3. Installation for motherboards

A. For Intel Motherboards (LGA115X / 1366 or LGA 20XX) :

(1) Switch the Intel backplate pins according to the CPU socket of your motherboard.



5. Installation Guide

* Please follow the related chapters to assemble.

* Please use original provided accessories to avoid damage to the product

(2) Attach the Intel backplate to the bottom of the motherboard.

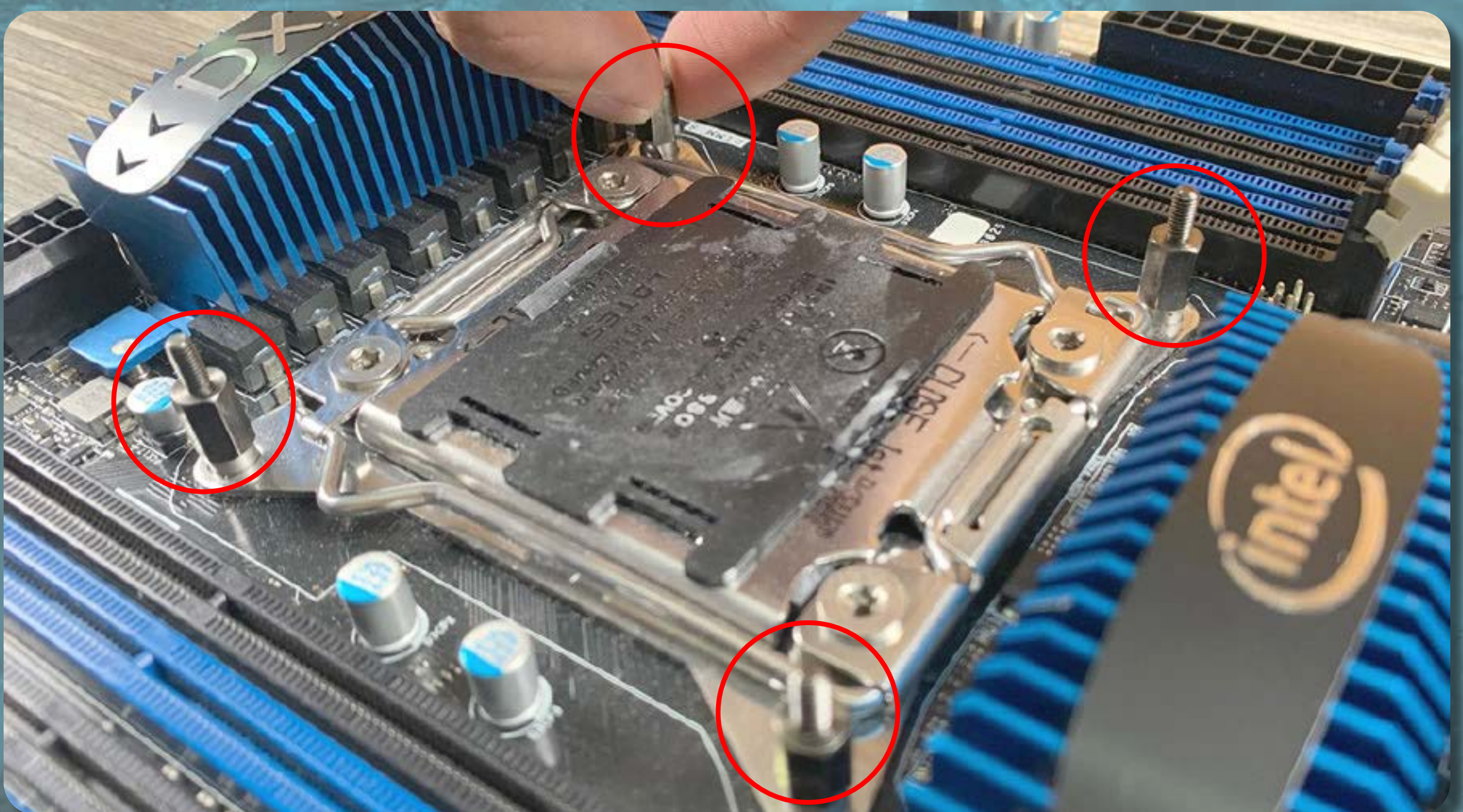
* Note: Intel LGA 20XX does not require backplate installation.



(3) Install the standoff screws onto your motherboard. Ensure to use the correct standoff screws for your CPU socket.

* Note: Intel LGA 20XX does not require backplate installation.

Parts Required: Standoff Screws (LGA115X / 1366 or LGA 20XX)



Standoff Screws x4
(LGA 20XX)



Standoff Screws x4
(LGA 115X/1366)

5. Installation Guide

* Please follow the related chapters to assemble.

* Please use original provided accessories to avoid damage to the product

B. For AMD Motherboards (AMD or TR4) :
Directly install the AMD standoff screws onto your motherboard.

Parts Required: Standoff Screws (AMD or TR4)



Standoff Screws x4
(TR4)



Standoff Screws x4
(AMD)

4. Install the Pump Unit

Parts Required: Mounting Bracket, Thumbscrew Cap, Thermal Compound

A. Choose your Mounting Bracket according to your CPU.



Intel



AMD

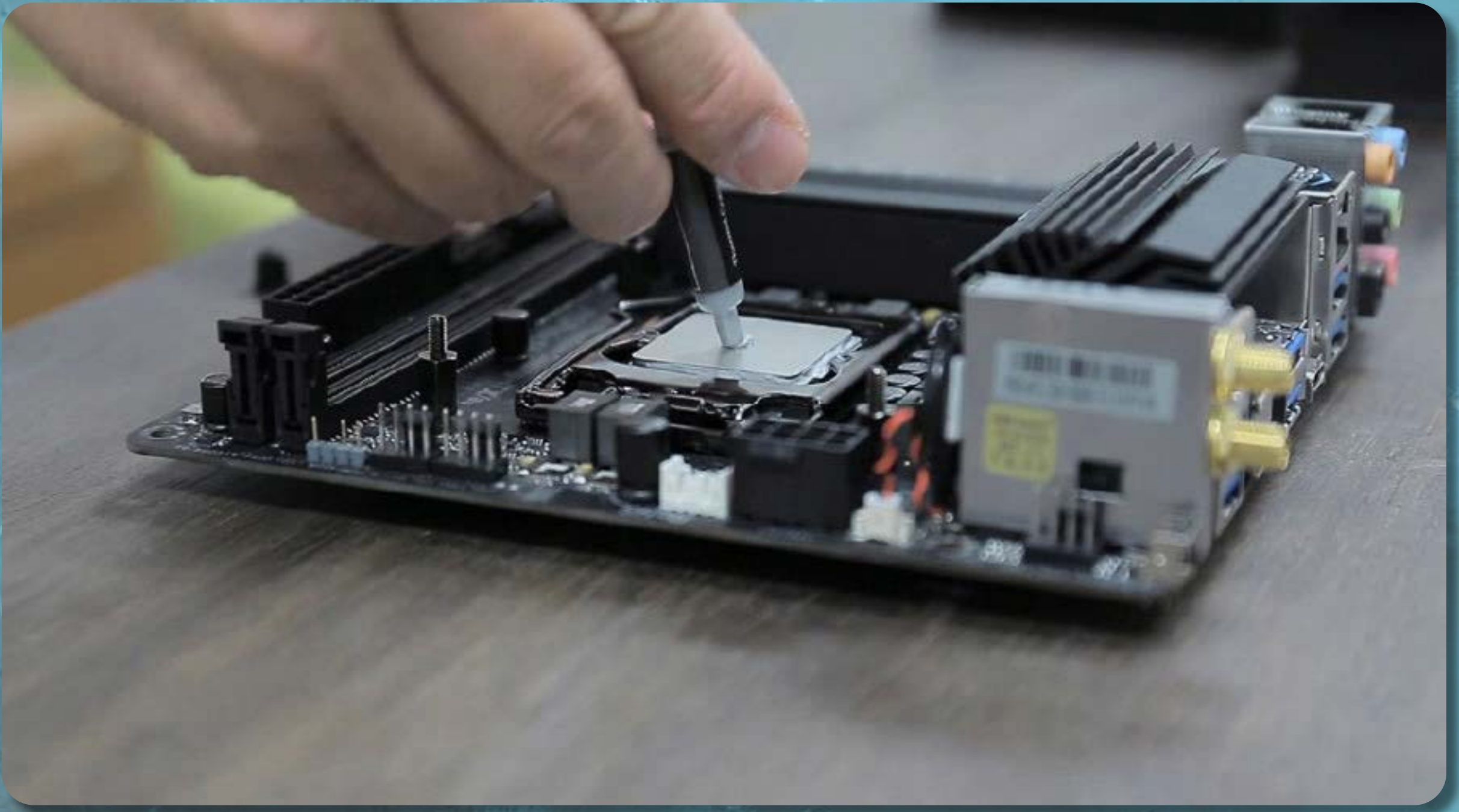


5. Installation Guide

* Please follow the related chapters to assemble.

* Please use original provided accessories to avoid damage to the product

B. Apply the Thermal Compound evenly on the CPU surface.



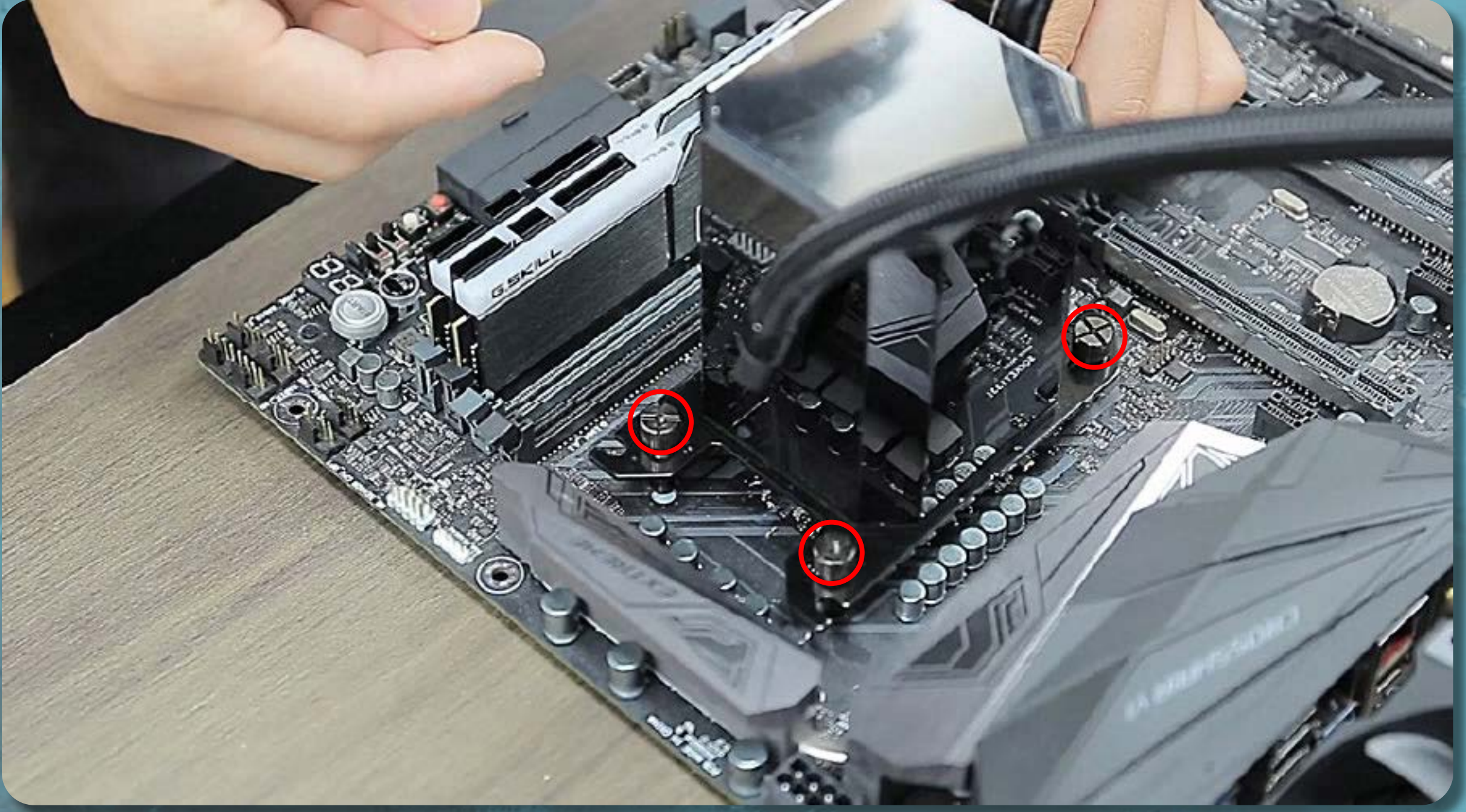
C. Remove the protect film from the cold-plate.



5. Installation Guide

- * Please follow the related chapters to assemble.
- * Please use original provided accessories to avoid damage to the product

D. Install the pump unit and then tighten it with the Thumbscrews.



5. Installation Guide

* Please follow the related chapters to assemble.

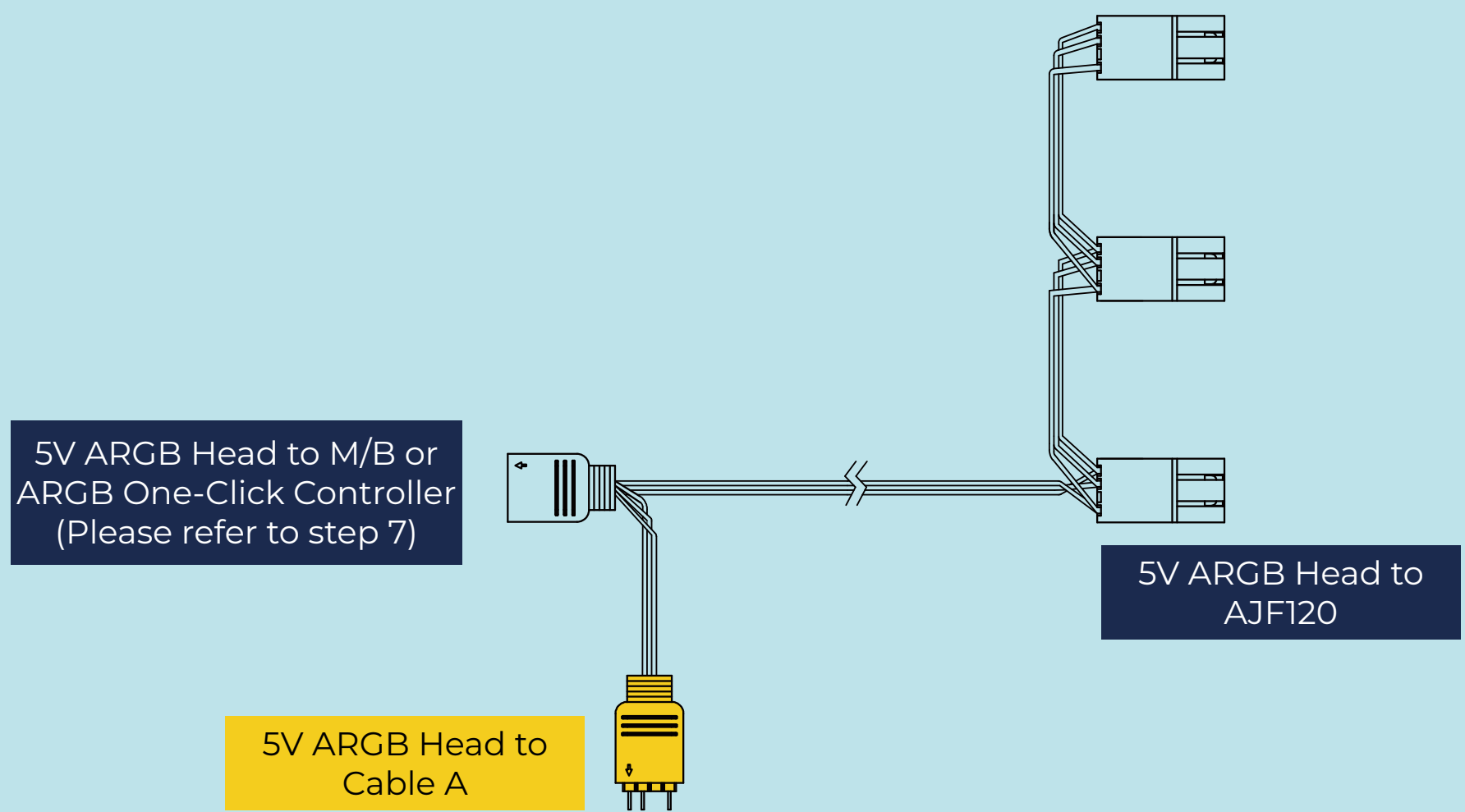
* Please use original provided accessories to avoid damage to the product

5. Connect Power to the Fans and Pump

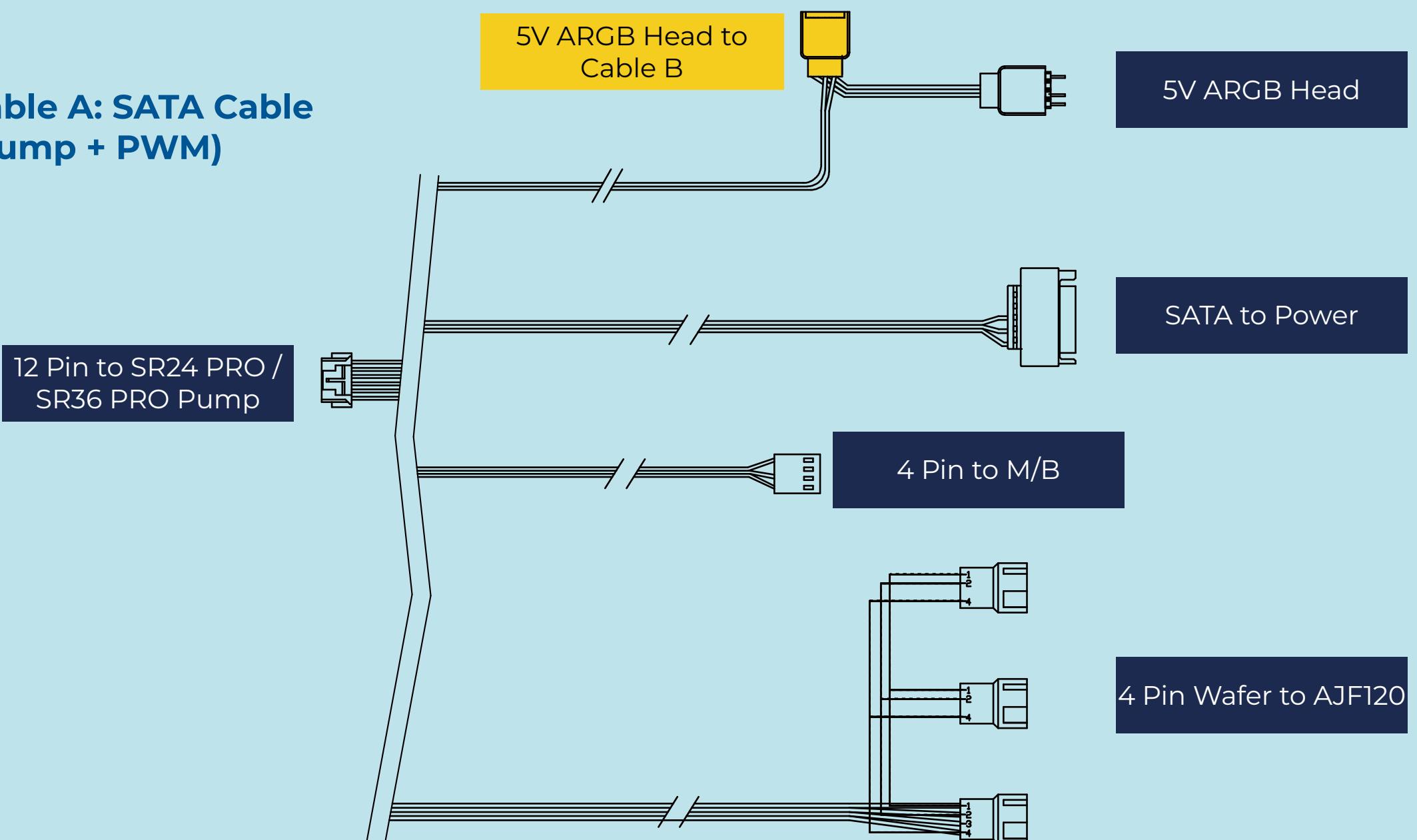
Parts Required: SATA Cable (Pump + PWM), Addressable Cable (5V, 3-pin)

Method 1:

Cable B: Addressable Cable (5V, 3-pin)



Cable A: SATA Cable (Pump + PWM)



5. Installation Guide

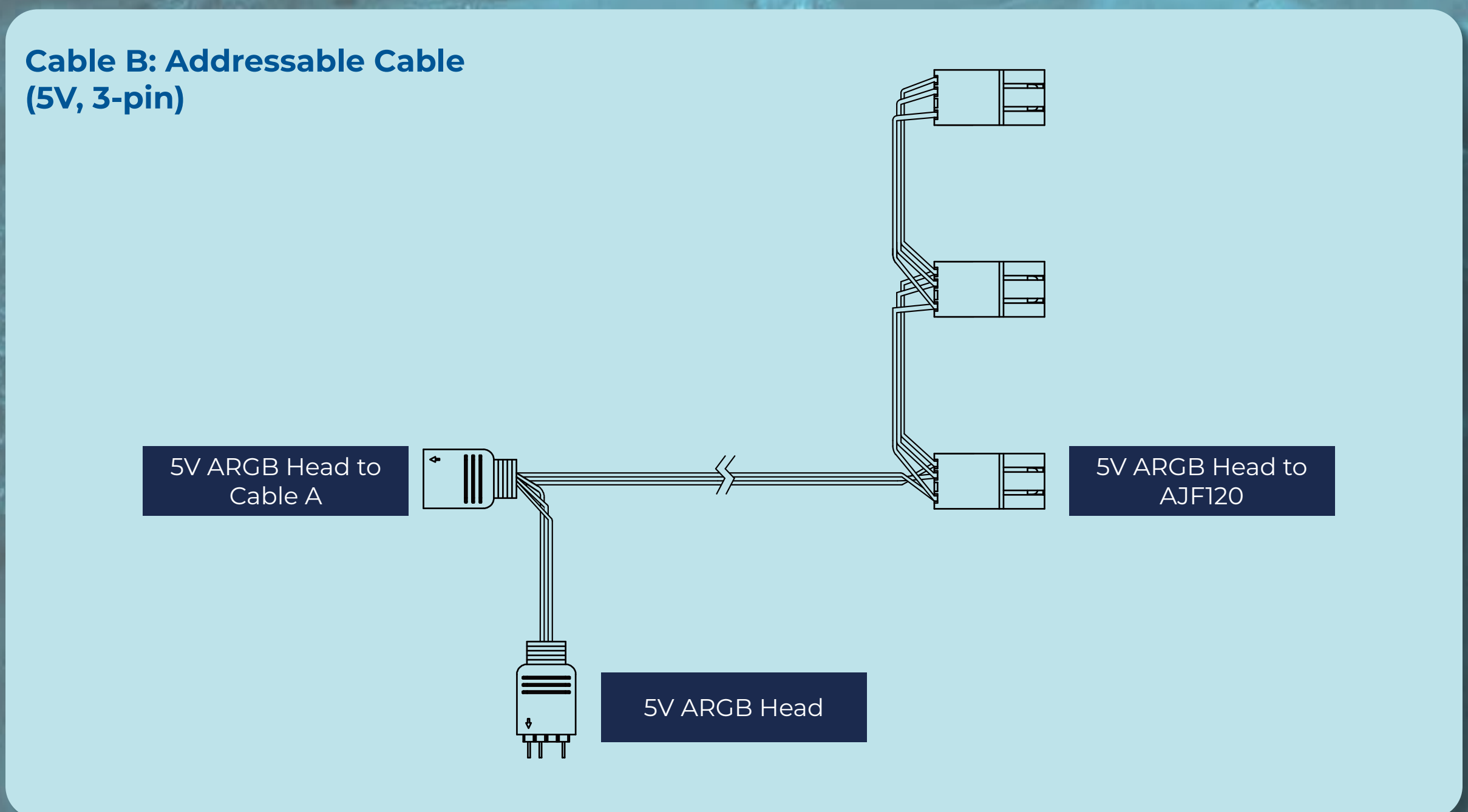
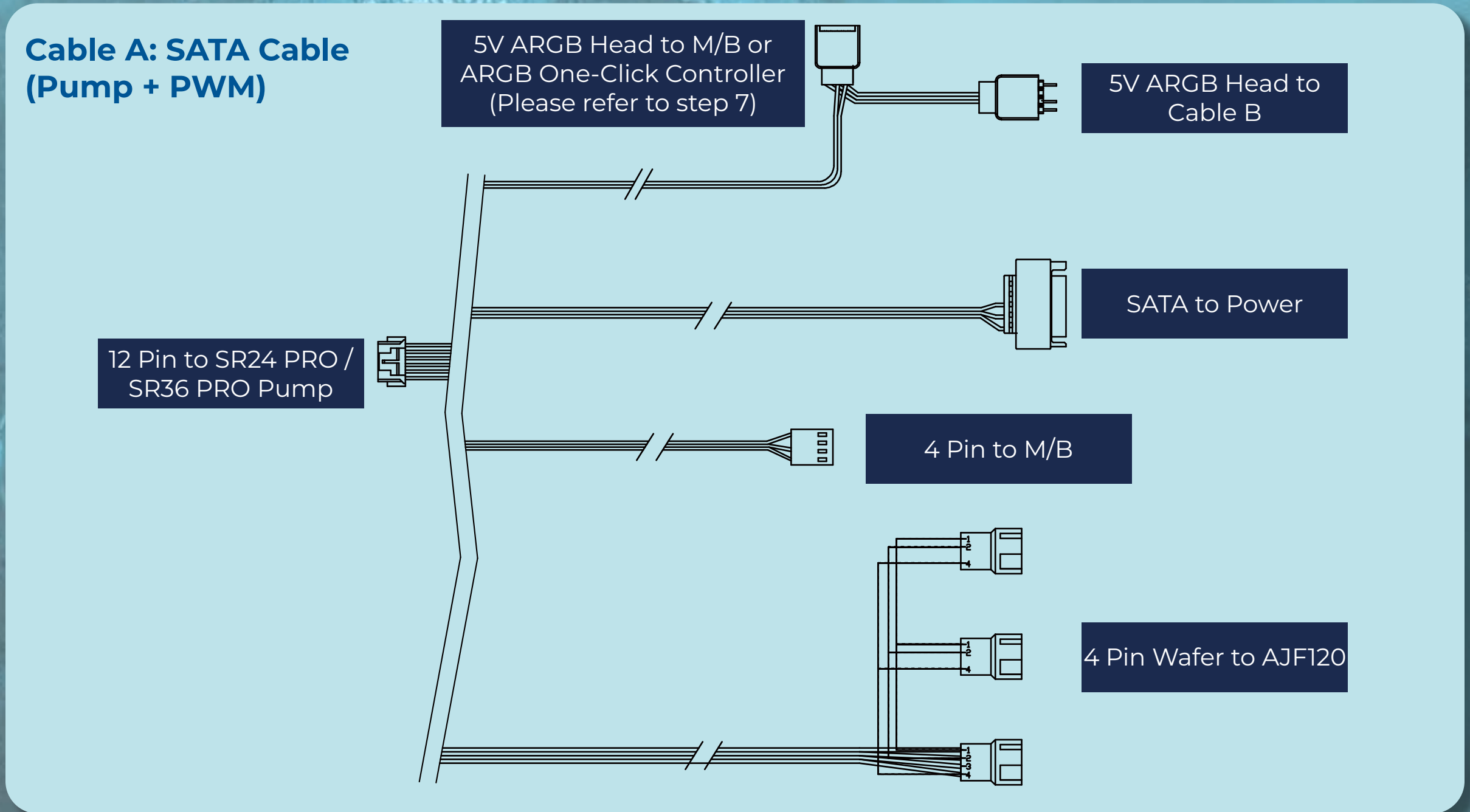
* Please follow the related chapters to assemble.

* Please use original provided accessories to avoid damage to the product

5. Connect Power to the Fans and Pump

Parts Required: SATA Cable (Pump + PWM), Addressable Cable (5V, 3-pin)

Method 2:



5. Installation Guide

* Please follow the related chapters to assemble.

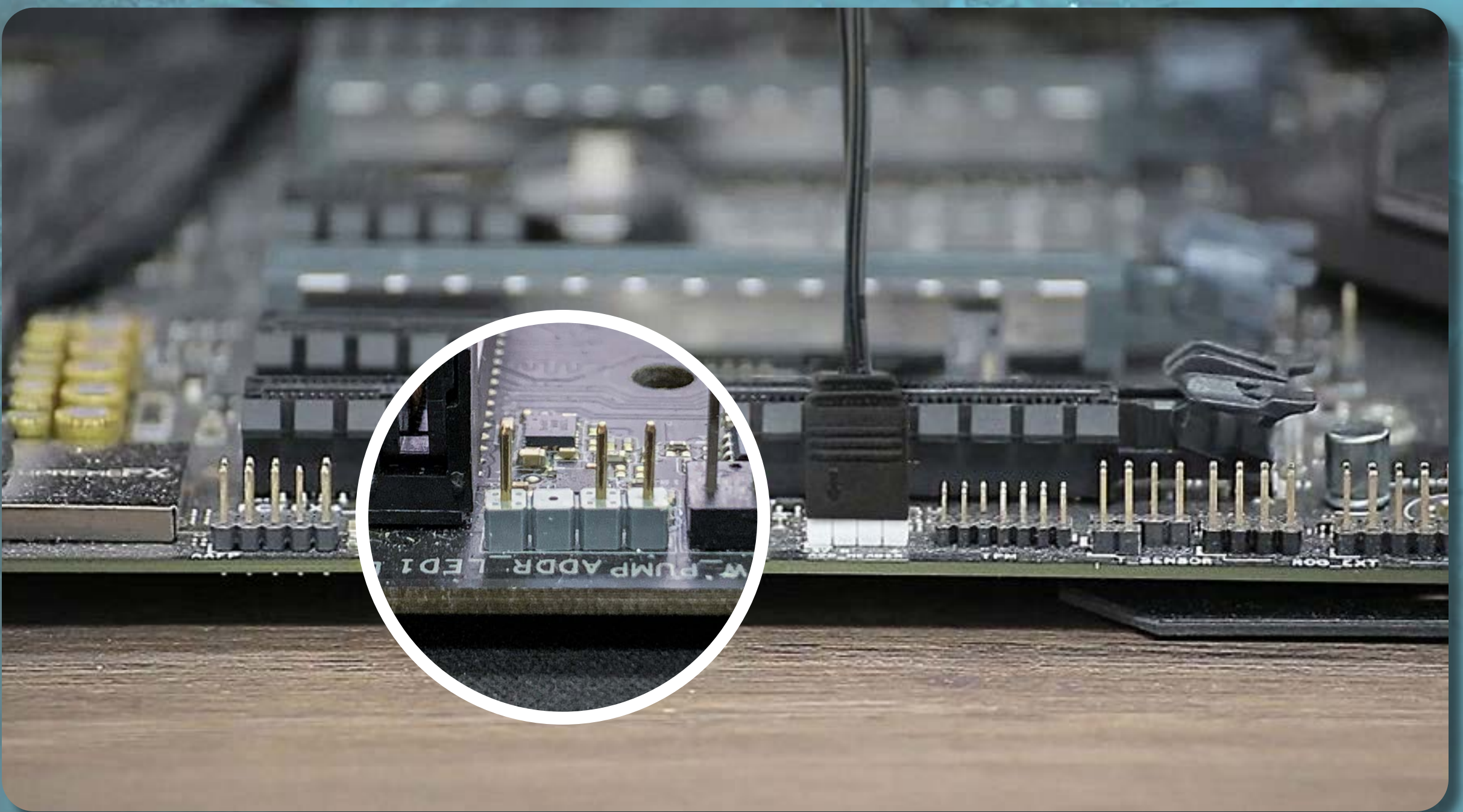
* Please use original provided accessories to avoid damage to the product

6. Sync Fans to Addressable Motherboard

A. Fan M/B Header



B. ARGB M/B Header



5. Installation Guide

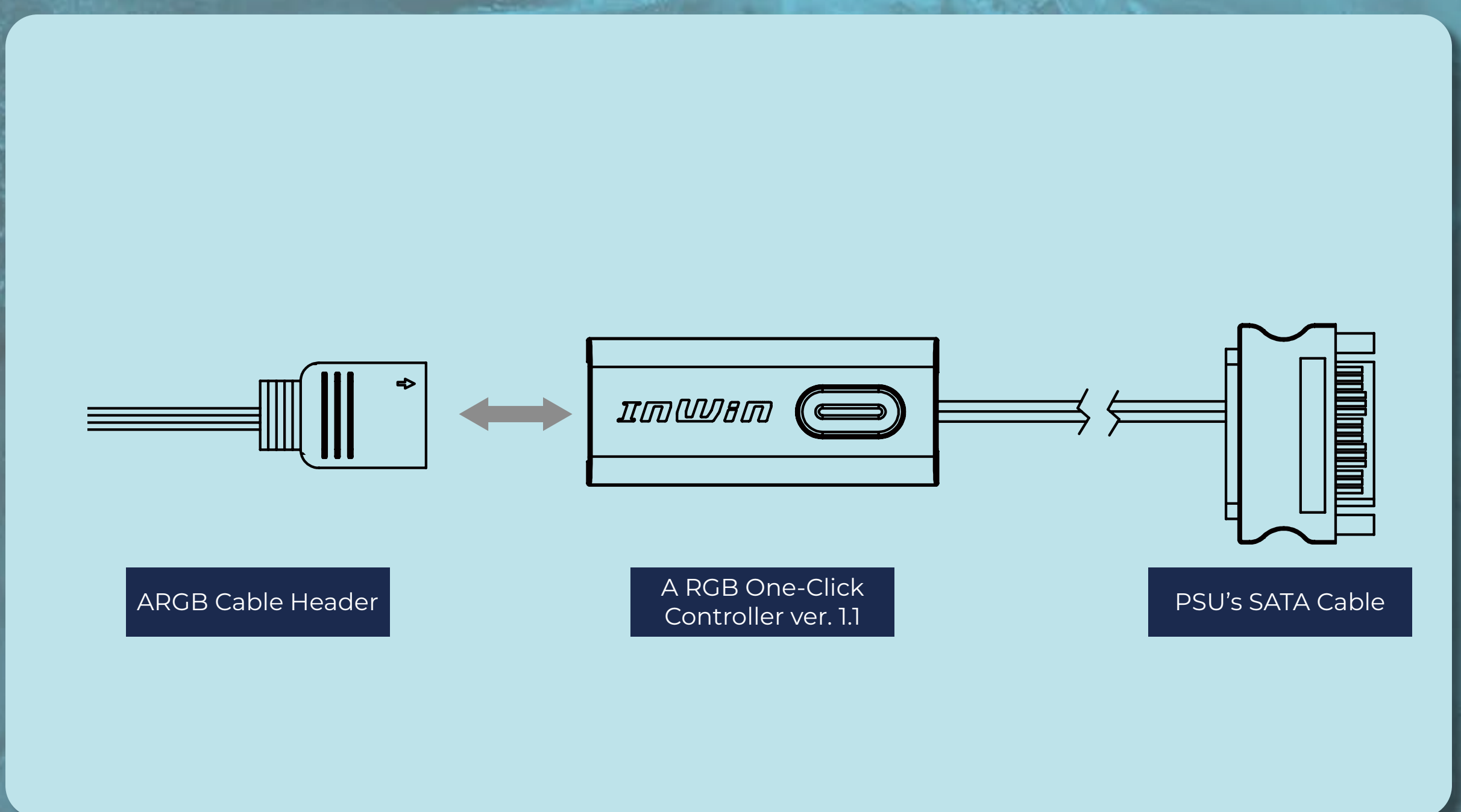
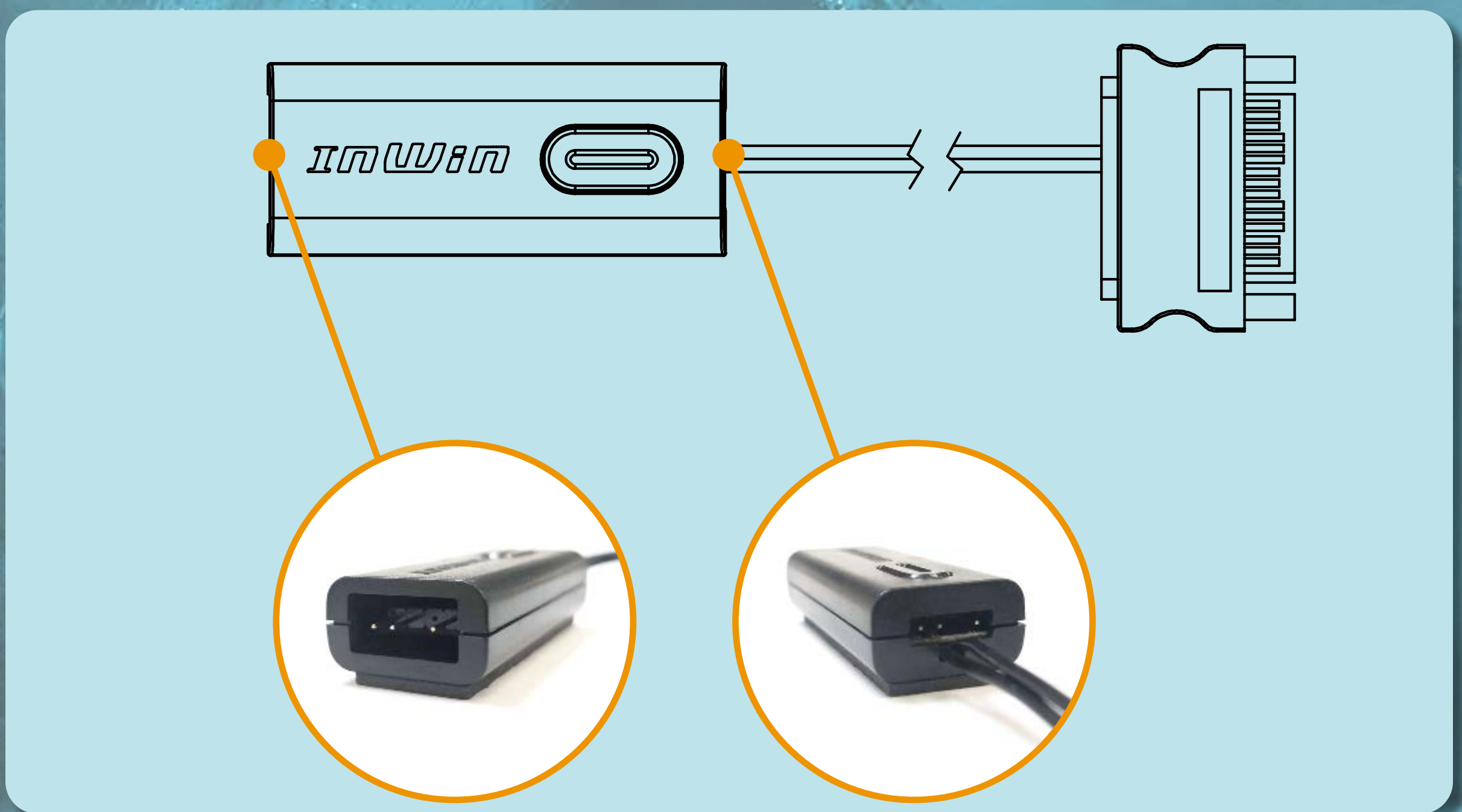
* Please follow the related chapters to assemble.

* Please use original provided accessories to avoid damage to the product

7. ARGB One-Click Controller Ver. 1.1 Installation

*** Note: Please follow this step if your motherboard does not support ARGB effect.**

(Please use the included ARGB One-Click Controller to connect to your PSU's SATA cable and the Addressable Cable in order to use the 14 different of lighting effects.



5. Installation Guide

* Please follow the related chapters to assemble.

* Please use original provided accessories to avoid damage to the product

Hold the button to turn on or off the lights. Tap the button to change the lighting modes.

- | | | | |
|----|--------------------------------|-----|---------------------|
| 1. | Rainbow | 8. | Two-Tone Ring |
| 2. | LED-Red Breathing | 9. | Diagonal Transition |
| 3. | LED-Green | 10. | Rotating LED Trio |
| 4. | LED-Blue | 11. | Full Circle |
| 5. | LED-Purple | 12. | Flow-Red |
| 6. | LED-White | 13. | Flow-Green |
| 7. | Light at the end of the Tunnel | 14. | Flow-Blue |

* InWin reserves the right to change the lighting modes.



* For more installation instructions, please scan the QR Code below or watch the video in the website link: <https://youtu.be/KL7KFRSEdxx>



SR24/36 PRO

6. Troubleshooting

If your AIO pump or fan does not operate properly, please follow the instructions below:

1. Please check your system's power.
2. Please make sure all the connectors are connected properly.
3. For more technical support, please visit the InWin Forum website at <https://forum.in-win.com/>



7. Notices and Warranty

Notices

1. Install in accordance with the user manual's instructions and safety warnings. Incorrect installation may burnout the motherboard and other system components.
2. Keep this product away from areas with high temperatures such as: heat dissipation machines, air conditioners or other machines which may generate high temperatures.
3. Please do not put anything in the impeller.
4. Do not modify the cables and/or connectors included with this product.
5. Please do not put your hands or other objects into the fan blades when the fan is in operation. And please make sure to keep away from children and pets.
6. Please only use this product in a computer case.
7. Please keep this product away from any liquids.
8. Please use only this product's exclusively supplied cables. Other cables may not be compatible and could cause serious damage to your system and power supply.

Warranty

1. For more detailed warranty information, please visit the InWin retail website at www.in-win.com.
2. The actual product is subject to change without prior notice. In Win Development Inc. reserves the right to make any final modifications.



CONTEMPORARY & INNOVATIVE
www.in-win.com